

**UP-D25MD**  
Digital Color Printer

**UP-25MD**  
Color Video Printer

**SONY**  
make.believe



Sony's UP-20 Series has been well received by customers requiring high-quality A6-size color prints in applications such as ultrasound and endoscopy, and for use in optical camera systems. Giving customers the additional benefits of an extra-compact design, the UP-D25MD and UP-25MD strengthen this popular lineup of digital and analog printing solutions. As these units are smaller than conventional printers, they fit more easily into space-constrained environments, and can be rack-mounted, alongside other equipment, on medical carts. With their extra-compact lightweight bodies, the UP-D25MD and UP-25MD are ideal for use in a wide range of medical applications.



**UP-D25MD**  
Digital Color Printer

**UP-25MD**  
Analog Color Video Printer

### Compact Size

The UP-D25MD and the UP-25MD share a common design. They are the most compact of the UP-20 Series, and are smaller than conventional printers. This means they can fit into smaller spaces and - as their foot positions are identical to those of their predecessors,

the UP-D23MD and UP-21MD, - they even help simplify the task of printer replacement.

**The shared dimensions of the UP-D25MD and UP-25MD are approximately 212 (W) x 98 (H) x 398 (D) mm (8 3/8 x 3 7/8 x 15 5/8 inches)**

### Useful Front Operation and User-friendly LCD Display

The UP-D25MD and UP-25MD are designed with a convenient front panel that enables quick and easy insertion of ribbon cartridges and print media.

Using the front LCD display, users can conveniently operate settings and color adjustment. This display also shows error messages and the print media type, making it easy for users to quickly check and confirm this information.



UP-D25MD (The UP-25MD also has an identical structure.)



UP-D25MD

UP-25MD

### Print Media Variation

For additional customer convenience, the UP-D25MD and UP-25MD use the same UPC-21L and UPC-21S print media as other UP-20 Series printers. To meet growing demand for higher image quality and durability, the UP-D25MD and UP-25MD also use UPC-24LA and

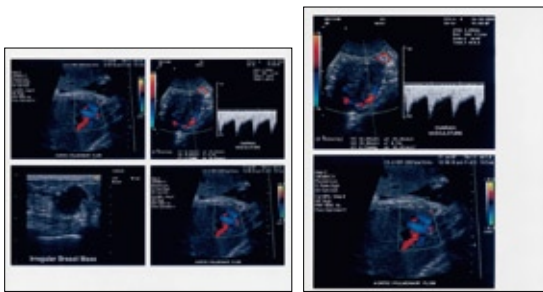
UPC-24SA self-lamination media. This type of media has a protective layer on each print, which is resistant to light, heat, water, humidity, and fingerprints. It therefore offers long-term durability and higher image quality.

## Superb Print Quality and Color at 423dpi Resolution

Incorporating dye sublimation printing technology from Sony, the UP-D25MD and UP-25MD can provide photorealistic quality prints with a high resolution of approximately 423dpi image reproductions.

## Split-image Prints

Two- or four-split images can be printed on a single sheet. With the UP-D25MD, this is selectable from the printer driver.



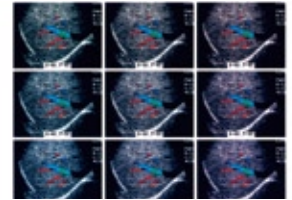
## Color Adjustment and Gray Balance (Color Balance\*<sup>1</sup>)

The UP-D25MD and UP-25MD incorporate two types of color adjustment function: the normal RGB adjustment and an HSV function. The HSV function enables users to adjust the hue, saturation and value of a selected color only. With the UP-D25MD, users can check the adjustment result in a preview window on the printer driver GUI\*<sup>2</sup>. In addition the UP-D25MD and UP-25MD can print a nine-split image for color balance which makes it easier for users to select the best colors (the ones that most closely match user requirements) with actual medical images. As well as simplifying selection, these adjustment functions provide the most suitable tonal range for various modalities.

\*<sup>1</sup> The UP-25MD uses the function name of Color Balance \*<sup>2</sup> For reference



Nine-split test print for HSV adjustment



Nine-split test print for Gray Balance (Color Balance) adjustment

## Other features

### UP-D25MD

#### USB Interface

This printer is equipped with a USB 2.0 interface as standard.

#### PC Compatibility

A PC utility driver software kit is bundled with the printer to enhance its flexibility. This software is compatible with Microsoft® Windows® 2000, XP, and Vista.

### UP-25MD

#### HDTV Signal Support

The UP-25MD supports HDTV (high-definition television) signal input. It accepts both 1080i and 720p signal types, and can automatically discriminate the input signal type.

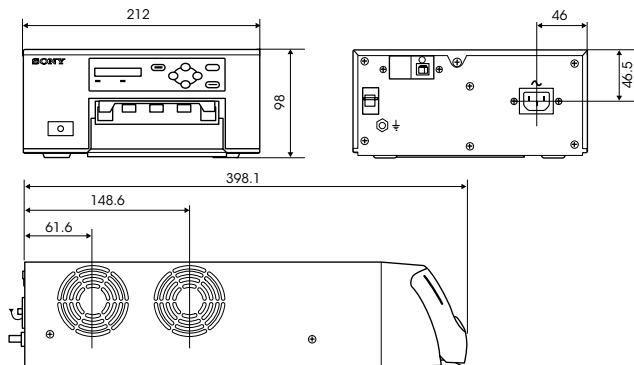
#### Supported signals for the RGB/YPbPr/SYNC connectors

NTSC setting: 480/59.94i (SD), 1080/59.94i, 720/59.94p  
PAL setting: 576/50i (SD), 1080/50i, 720/50p

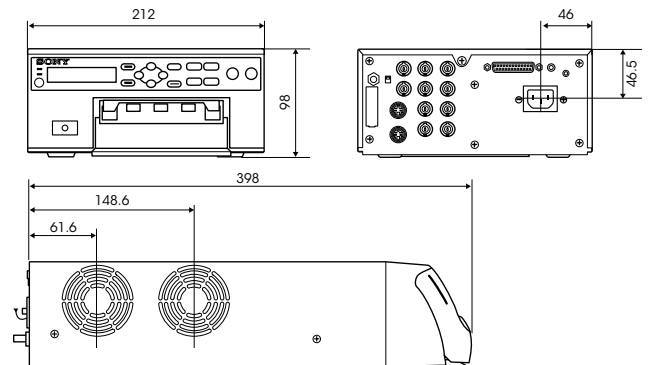
## Dimensions

Unit : mm

### UP-D25MD



### UP-25MD



## Specifications

	UP-D25MD	UP-25MD
Printing method	Dye sublimation thermal transfer	
Resolution	423 dpi	
Gradaftions	256 levels (8 bits) each for Yellow, Cyan, Magenta	
Picture elements	UP-21L/24LA: 2,100 x 1,600 dots UP-21S/24SA: 1,600 x 1,200 dots	UP-21L/24LA: 2,132 x 1,600 dots UP-21S/24SA: 1,600 x 1,260 dots
Picture area	UP-21L/24LA: 126.0 x 96.0 mm (5 x 3 3/4 inches) UP-21S/24SA: 96.0 x 72.0 mm (3 3/4 x 2 7/8 inches)	UP-21L/24LA: 127.9 x 96.0 mm (5 1/8 x 3 3/4 inches) UP-21S/24SA: 96.0 x 75.6 mm (3 3/4 x 3 inches)
Printing time*	UP-21L: Approx. 29 sec UP-21S: Approx. 19 sec UP-24LA: Approx. 36 sec UP-24SA: Approx. 25 sec	
TV system	Select from NTSC/PAL signal system (using NTSC/PAL switch)	
HDTV IN/OUT signals	1080i/59.94i, 1080/50i (2:1 interlace) 720/59.94p, 720/50p (progressive)	
Paper tray capacity	L size: max. 50 sheets S size: max. 80 sheets	
Interface	Hi-Speed USB (USB 2.0) (x1)	RGB/Y/Pb/Pr (BNC) (x3): 0.7 Vp-p SYNC ON G: 0.3 Vp-p, sync negative SYNC (BNC) (x1): 0.3 to 4 Vp-p, sync negative S VIDEO (4-pin mini-DIN) (x1): Y: 1 Vp-p, sync negative C: 0.286 Vp-p (NTSC), 0.3 Vp-p (PAL) VIDEO (BNC) (x1) : 1 Vp-p, sync negative
Control connectors		REMOTE 1: special mini jack (x1) for RM-5500 Remote Control Unit (not supplied) REMOTE 2 (automatic printing connector) : Stereo mini jack: (x1) for optional RM-91 Remote Control Unit or FS-24 Foot Switch RS-232C (Computer control interface) : D-sub 25-pin connector (x1)
Power requirements	AC 100 V to 240 V, 50/60Hz	
Input current	1.7 A to 1.0 A	
Operating temperature	5°C to 35°C (41°F to 95°F)	
Operating humidity	20% to 80% (no condensation allowed)	
Storage and transport temperature	-20°C to +60°C (-4°F to +140°F)	
Storage and transport humidity	20% to 80% (no condensation allowed)	
Dimensions	212 (W) x 98 (H) x 398 (D) mm, (8 3/8 x 3 7/8 x 15 5/8 inches)	
Mass	5.5 kg (12 lb 2 oz)	5.7 kg (12 lb 6 oz)
Safety standards	(US/CA) UL 60601-1, UL 60950-1, CSA C22.2 No.601.1, CSA C22.2 No.60950-1 (EU) EN 60601-1, EN 60950-1 (CB) IEC 60601-1, IEC 60950-1	
EMC standards	(US/CA) FCC Part 15 Subpart-B Digital Device Class A, ICES-003 Class A Digital Apparatus (EU) EN 60601-1-2, EN 55022 (Class B), EN 55024, EN 61000-3-2, EN 61000-3-3 (AU) EN55022 Class B (JP) VCCI Class A, JIS C 61000-3-2	
EC directive	(EU) MDD, EMC, LVD	
Supplied accessories	CD-ROM (1) (Printer Driver, Operating Instructions (PDF) 21 Languages), HDTV IN/OUT signals 1080i/59.94i, 1080/50i (2:1 interlace) 720/59.94p, 720/50p (progressive) Before Using this Printer (1) (21 Languages), Paper Tray (1), Stopper (1), Cleaning Cartridge (1), USB Cable (1)	CD-ROM (1) (Operating Instructions (PDF) 21 Languages), Before Using this Printer (1) (21 Languages), Paper Tray (1), Stopper (1), HDTV IN/OUT signals 1080i/59.94i, 1080/50i (2:1 interlace) 720/59.94p, 720/50p (progressive) Cleaning Cartridge (1)

\* Measured in high-speed mode when using the UPC-21S Color Printing Pack (excluding data transfer time)

## Optional Accessories

### UPC-21S Color Print Pack

(S size)

Contents:  
240 sheets of print paper  
(80 sheets x 3 packs)  
3 rolls of ink ribbon



### UPC-21L Color Print Pack

(L size)

Contents:  
200 sheets of print paper  
(50 sheets x 4 packs)  
4 rolls of ink ribbon



### UPC-24SA Self-Laminating Color Printing Pack (S size)

Contents:  
180 sheets of print paper  
(60 sheets x 3 packs)  
3 rolls of ink ribbon



### UPC-24LA Self-Laminating Color Printing Pack (L size)

Contents:  
160 sheets of print paper  
(40 sheets x 4 packs)  
4 rolls of ink ribbon



### RM-91 Remote Commander



### RM-5500 Remote Control Unit



### FS-24 Foot Switch



Distributed by



**Medical Limited**

ARMYTAGT ROAD • BRIGHOUSE • WEST YORKSHIRE • HD6 1QF  
TEL • +44 (0) 1484 721906 • FAX • +44 (0) 1484 720248  
EMAIL • mail@mas-medical.co.uk • WEB • www.mas-medical.co.uk

©2010 Sony Corporation. All rights reserved.

Reproduction in whole or in part without written permission is prohibited.

Features and specifications are subject to change without notice.

All non-metric weights and measures are approximate.

The values for mass and dimension are approximate.

"SONY" and "make.believe" are trademarks of Sony Corporation.

All other trademarks are the property of their respective owners.

The UP-D25MD and UP-25MD are produced at Sony EMCS Corporation Tokai Tec, which has received ISO14001 Environmental Management System certification.

