

SERIE4

Soluscope

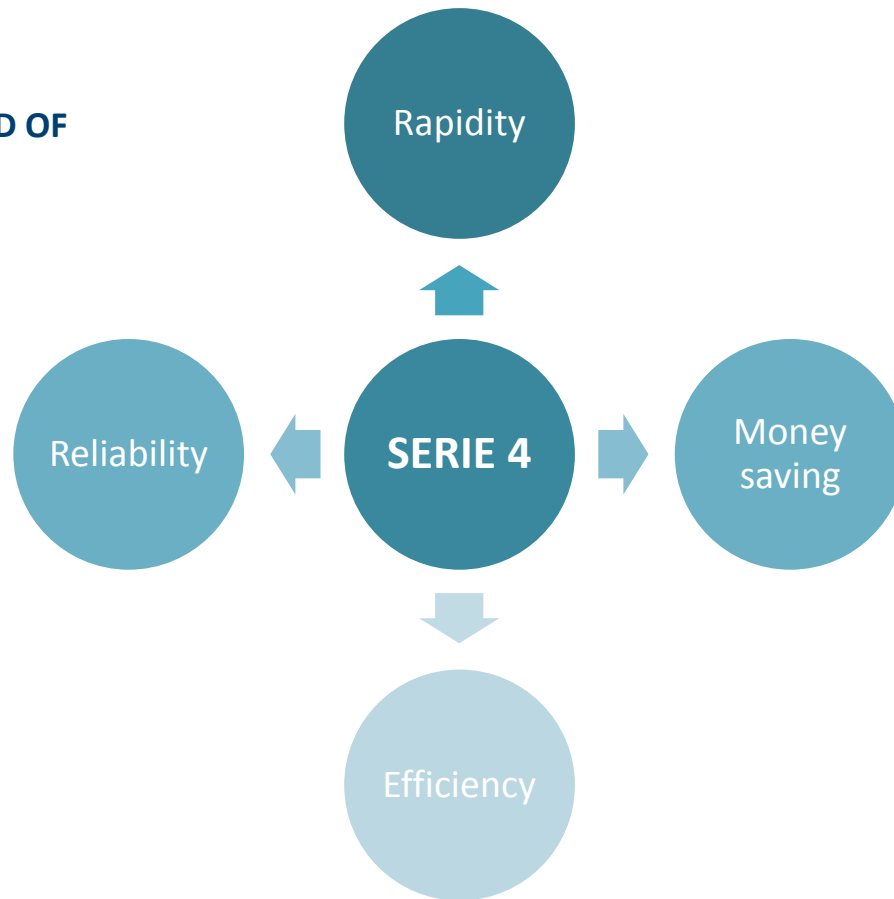
Rapid Reliable Efficient
Soluscope Serie 4

PA Version

SERIE 4

DEVICE INTRODUCTION

A PERFECT BLEND OF



SERIE 4

RAPID

- Complete cycle 1 in 16 minutes

RELIABLE

- New patented irrigation system
- Complete self-disinfection cycle
- Less water / less chemistry

EFFICIENT

- New components
- Improved complete water treatment system
- Self-disinfection cycle
- ISO15883-1/4 compliant / CE MARK



- Double check of critical parameters
- Patented channel controls
- Continuous leak test



SERIE 4



an Intuitive
device



an Integrated
process



an Innovative
concept

SERIE4

Power at your fingertips

AN INTUITIVE DEVICE

SERIE 4

AN INTUITIVE DEVICE

TOUCH SCREEN

- Large 7" screen
- New intuitive and graphical user interface
- Controls all Serie 4 functions

TRACEABILITY

- Simple integrated data management
- IT Soluscope

CONNECTORS

- 6 endoscope channels
- 1 leak test



SERIE 4

AN INTUITIVE DEVICE

A REACTIVE SCREEN FOR SIMPLE ACCESS TO ALL FUNCTIONS

HMI => « what you see is what you get »

It is fast and simple to use the machine



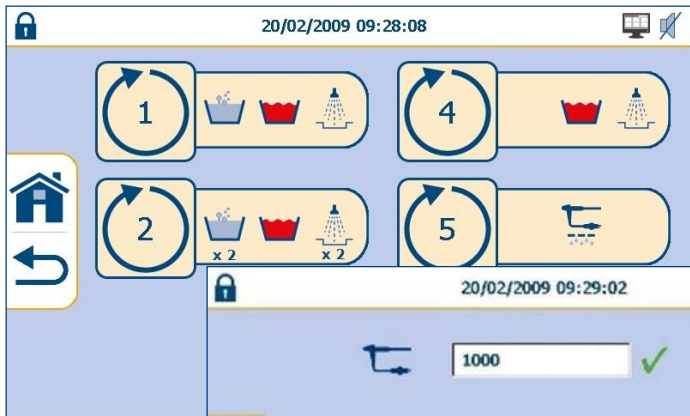
Endoscope
cycles

Machine
cycles

Settings

SERIE 4

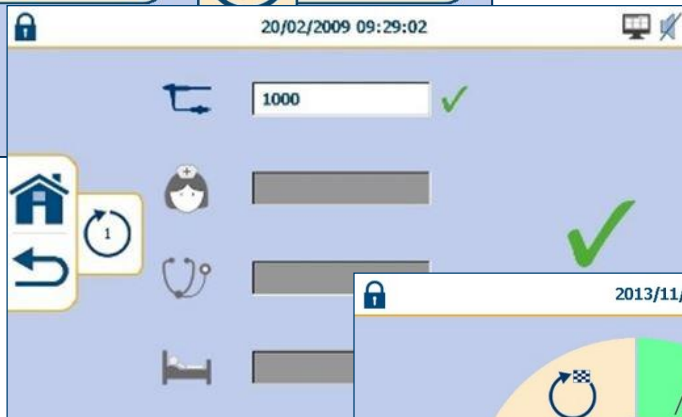
AN INTUITIVE DEVICE



Click on cycle 1

A Simple “click” to access

- Endoscope cycles
- Machine cycles
- Settings



Confirmation request depending on settings



Cycle is launched

SERIE4

Uniting the most effective systems for improved performance

AN INTEGRATED PROCESS

SERIE 4

AN INTEGRATED PROCESS

A NEW ERGONOMIC DESIGN

- All elements embedded (filters, printer...)
- A single bowl for all endoscope types

COMPACT SIZE

- Small footprint
- Can be set up side by side
- Dimensions : WxDxH: 63.8 x 87.5 x 109.6 (closed lid)

ROBUST COMPONENTS

- New more powerful pump
- New more resistant valve
- Stainless steel connector
- Bigger tank capacity



SERIE 4

AN INTEGRATED PROCESS

- Robust and resistant materials
(smooth design, colour stable over time)
- Easy to clean

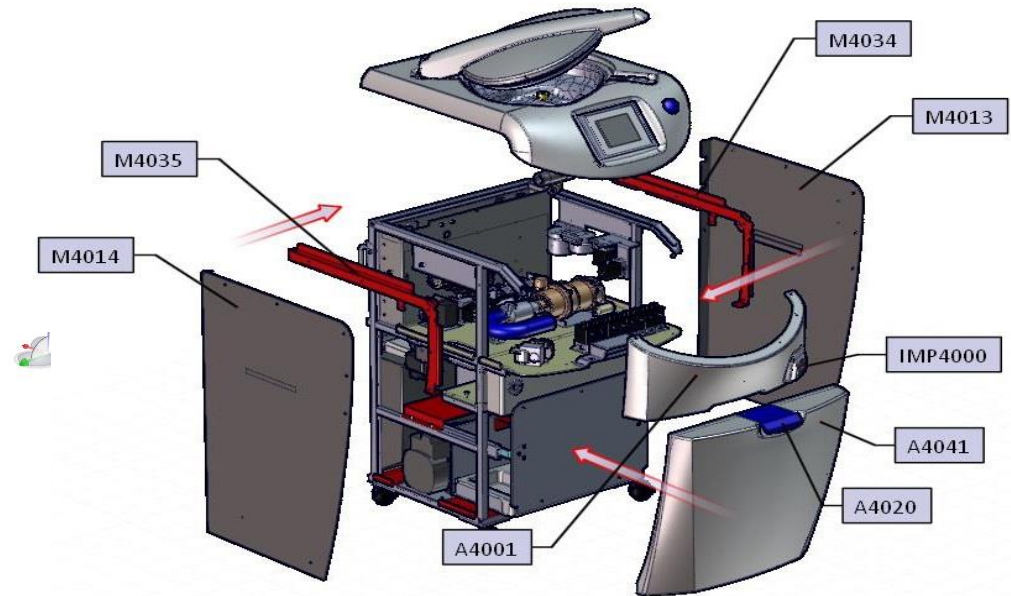
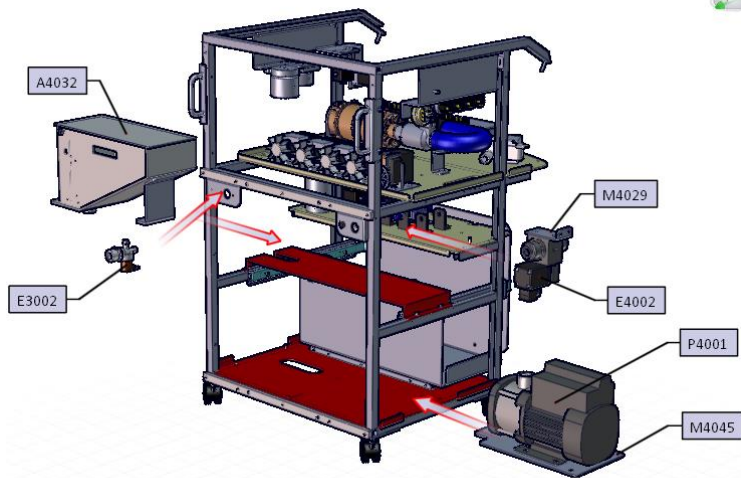


SERIE 4

AN INTEGRATED PROCESS

NEW CONCEPTION

- Designed by function
- Robust materials
- Modular assembly for easy access



SERIE 4

AN INTEGRATED PROCESS

NEW FILTRATION SYSTEM

- Water treatment : 0.2 μ m terminal filter and 3 pre-filters (0.2 μ m, 1 μ m, 5 μ m)
- Air filter in the drawer: HEPA

IMPROVED SAFETY AND PROTECTION

- Chemical bottles housed in the drawer

EMBEDDED TRACEABILITY

- Printer
- Barcode reader
- Network connection



SERIE 4

AN INTEGRATED PROCESS

EASY TO INSTALL

- « Plug and play » concept:
 - Power cable
 - Water IN/OUT
 - Barcode scanner USB port
 - ON/OFF button
- Can replace a Soluscope Serie 3 AER with no installation changes
- On wheels, can be moved easily



SERIE4

Soluscope's cutting edge technology

AN INNOVATIVE CONCEPT

SERIE4

AN INNOVATIVE CONCEPT

- Dual wash technology
- New chemistry
 - CLN: detergent
 - PAA: disinfectant
- Volumetric control of individual channels for obstruction and disconnection detection
- Continuous leak test



SERIE 4

AN INNOVATIVE CONCEPT

DUAL WASH TECHNOLOGY

- A unique technique
- A patented spray system
 - 2 multi-directional water jets
- Water pressure creates a mechanical cleaning action in conjunction with a cross cleaning effect for more effective removal of bio-matter
- Improved efficacy



SERIE 4

AN INNOVATIVE CONCEPT

NEW CHEMISTRY

- Single shot
- Excellent efficacy
- Safety for the operator and the endoscope
- Using less to bring you more (half consumption of water and chemistry)
- Less contact time: more efficiency
- Less product: more efficiency
- Less bottles: more safety



SERIE 4

AN INNOVATIVE CONCEPT

SIMPLIFICATION OF THE OPERATING PROCEDURE

Soluscope CLN:

- A detergent with proven efficacy
- A detergent specific to the Soluscope Serie 4
- Compatible with multidirectional jets (non foaming)
- Original formula
- Validated high level performance



Soluscope PAA:

- A new generation of peracetic acid disinfectant
- No need for anticorrosive additive
- Efficacy obtained at 900 ppm, 3 min, 40°C
- Performance tests
 - ✓ *in vitro*
 - ✓ *simulated-use*



SERIE 4

AN INNOVATIVE CONCEPT

SOLUSCOPE CLN: A NEW HIGHLY EFFICIENT CLEANER

- Fights actively against biofilm
- Operates at 35°C
- 5l bottles
- Color code bottle
- New safer and very efficient plunger
- Shelf life: 36 months



SERIE 4

AN INNOVATIVE CONCEPT

SOLUSCOPE PAA: NEW FORMULA ALL-IN-ONE HIGH LEVEL DISINFECTANT

- No mixing required, single bottle
- Cost effective with minimal dosage and a 5% concentrated formula
- Improved efficacy: **3 min** contact time & active at 40°C / 900ppm
- Less corrosive to endoscopes, connectors and reprocessor
- Safe for the endoscope: compatibility test run on 1000 cycles
- New safer and very efficient plunger

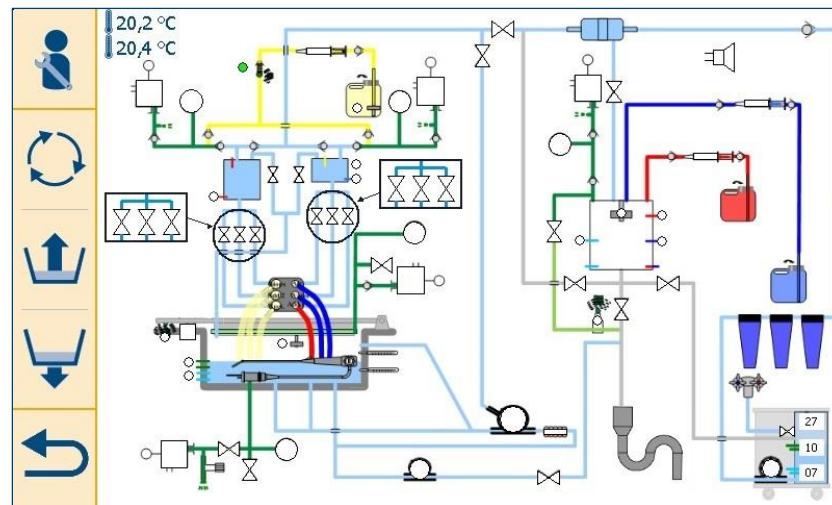


SERIE 4

AN INNOVATIVE CONCEPT

VOLUMETRIC CHANNEL CONTROL SYSTEM

- Patented
- Ensures that every endoscope channel is free from blockages and well connected
- Monitors time to empty a constant volume of solution



SERIE 4

AN INNOVATIVE CONCEPT

CONTINUOUS LEAK TEST

- Overpressure inside the endoscope
- Measures any changes in pressure
- Prevents water from entering the endoscope



SERIE4

AN INNOVATIVE CONCEPT



Safer for the user

- Less manipulation with less product
- More protection

Safer for the endoscopes

- More integrity protection
- Less product & short contact time

Safer for the patient

- More traceability and control

SERIE4

The drill down

DEVICE SPECIFICATIONS

SERIE 4

ENDOSCOPE CYCLES

Cycle 1	Cycle 2	Cycle 4	Cycle 5	Cycle 11
<i>Simple cleaning HLD</i>	<i>Double cleaning HLD</i>	<i>Disinfection without cleaning</i>	<i>Purging</i>	<i>Rinse</i>
Leak Test	Leak Test	Leak Test	Purging	Rinse
Pre-rinse	Pre-rinse	Pre-rinse	2 min	8 min, 15l water
Cleaning	Cleaning	Disinfection		
Rinse	Rinse	Rinse		
Disinfection	Cleaning	Purging		
Rinse	Rinse	15 min, 30l water		
Purging	Disinfection			
16-17 min, 45l water	Rinse			
	Purging			
	20-21 min, 50l water			

SERIE 4

MACHINE CYCLES

Cycle 6

Self-Disinfection

Break tank disinfection

Filtration system disinfection

Machine disinfection

Hourly recirculation of machine lines until rinsing is activated

Delayed rinse, launched by the user

Purging

40 min, 35l water

Cycle 10

Seal Inflation

Inflation of lid seal for inspection

Cycle 12

Prion Inactivation

Disinfection with a 2% chlorine solution

Rinse

Purging

80 min, 60l water

SERIE 4

CHEMISTRY CONSUMPTION

CYCLE 1 (standard cycle cleaning / disinfection)	SL-V3-PA	SL-V3-GTA	SL-V4-PA
Detergent (ml)	50 ± 5	50 ± 5	52.5 ± 2.5
Disinfectant (ml)	133 ± 6	110 ± 5	84 ± 4
Anticorrosive (ml)	133 ± 6	0	0

CYCLE 6 (self-disinfection cycle)	SL-V3-PA	SL-V3-GTA	SL-V4-PA
Detergent (ml)	0	0	0
Disinfectant (ml)	266 ± 12	0	168 ± 8
Anticorrosive (ml)	266 ± 12	0	0

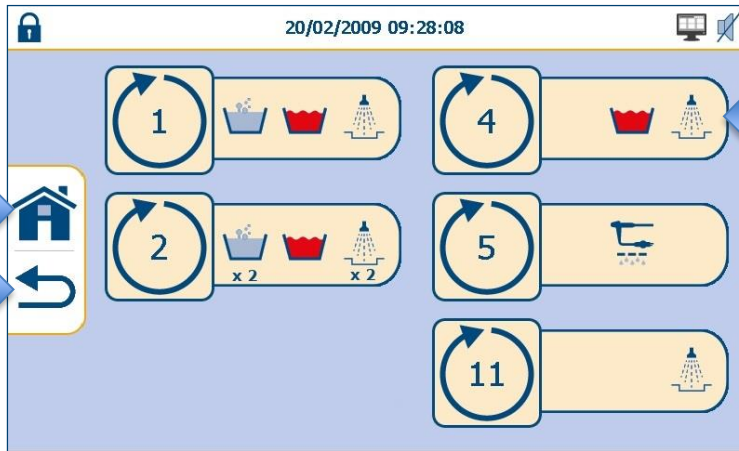
SERIE4

CYCLES

Back to main menu



Back to previous page



Icon you can click for action



Details

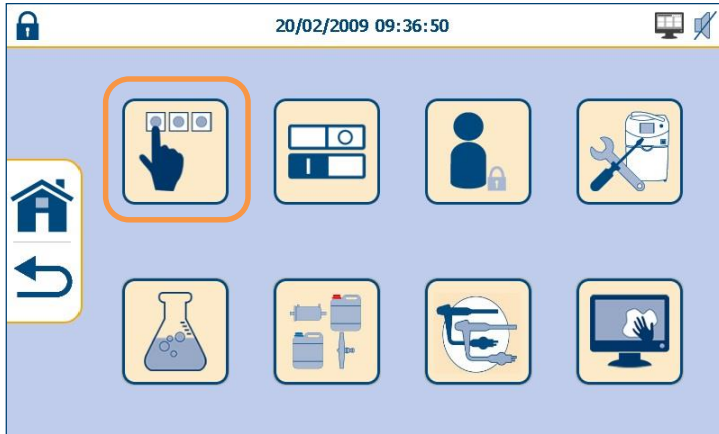


Stop



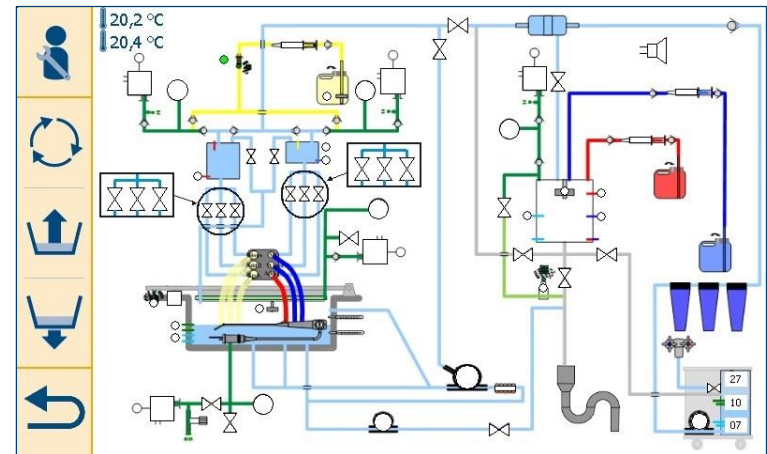
SERIE 4

SETTINGS



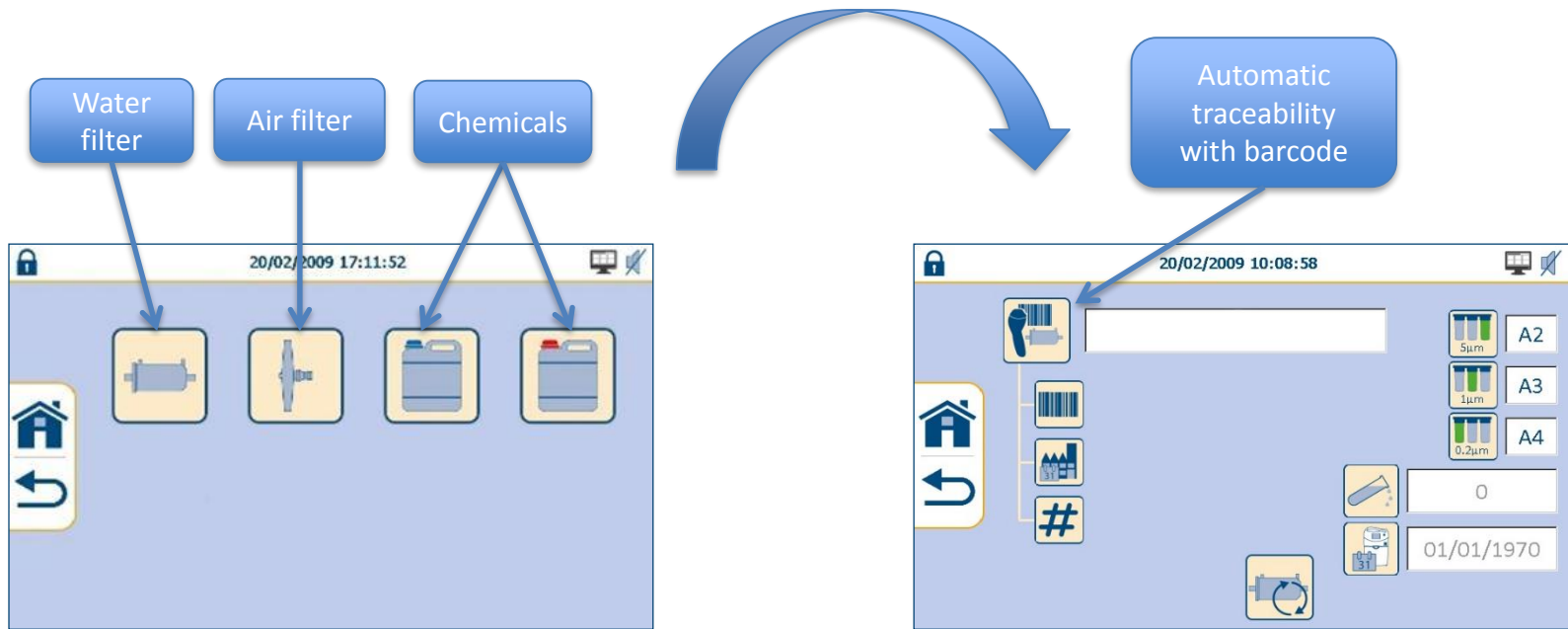
Easy access to servicing mode

More visual
Different points of test



SERIE 4

CONSUMABLES MANAGEMENT



SERIE4

SERVICES

SERVICES AND INSTALLATION

- Installation and validation upon delivery

2 YEARS WARRANTY

PREVENTIVE MAINTENANCE

- Every 4000 cycles or 2 years (whichever comes first)
- Aim to identify and prevent any potential high cost damage
- Replaced parts list

TRAINING

- For operator
- For technician

SERIE 4

FILTERS

WATER FILTRATION

- 5 µm, 1µm and 0.2µm prefilters
- A terminal 0.2µm stage ensures no contaminants in the water supply
- Full tracking capability by barcode
- Must be changed every 3 months or 1000 cycles (all at the same time for the best efficiency)

AIR FILTER

- To be changed every month to ensure the efficiency of the air purge

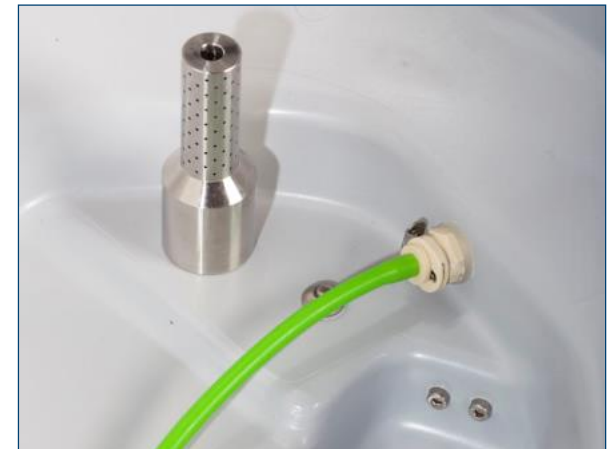


SERIE 4

HYGIENE



- New materials robust and color stable over time
- Smooth so easy to clean
- Painted steel on sides and back
- PVC bowl



SERIE 4

CONNECTORS

20 YEARS OF DATA

- Connectors available for the major market brands: Fujifilm, Olympus, Pentax, Storz, Vision Science, Wolf, Endochoice...
- Over 1500 endoscope models registered
- Connectors database: <https://pro.soluscope.com>
 - Simple system to access information regarding which connectors to be used for your endoscope reprocessing and storage,
 - How to attach them, and general information
 - An extensive choice, access details are provided with the purchase of Soluscope products

Replacement frequency:

- connectors – after 1000 cycles of use or every 2 years at the latest
- O-ring seals – every 3 months



SERIE 4

<https://pro.soluscope.com>

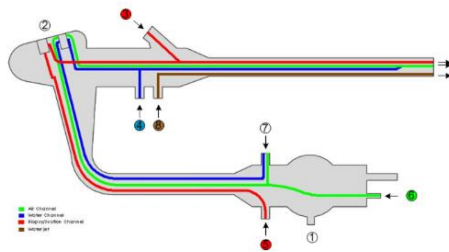


Fujifilm | EC-400HL

Soluscope



Information



Type



Colonoscope

Group

05

Options



HD



Video



Zoom

Visualize the qualifications

S3F-E | SERIE 3 | DSC8000 | SERIE 4

Visualize in PDF format Add to cart Visualize the cart

Leak test



SL-TO-F

Blocker/Separator



WF-B

Biopsy/Suction



WF-BAL

Air/Water



WF-AW

Additional channel



WF-S

S2F-E | SERIE 1 | DSC8000

Visualize in PDF format Add to cart Visualize the cart

Leak test



SL-TO-F

Blocker/Separator



SL-FUJI-3N

Biopsy/Suction



SL-S1-F

Air/Water



SL-W1-F

AW option



SL-W5

SERIE 4

TRACEABILITY

- Internal memory
- All data stored in local SD card (replaced every 2 years or 4000 cycles during maintenance)
- Embedded printer
- All data on the printout
- IT Soluscope compatible

Ticket: 19
Hosp.: SOLUS
Dept.: R&D
Soluscope: Serie 4 PA21581
PLC version : V1.7.4
CYCLE 1 / CYCLE COUNTER : 19
Start time: 14/11/2014 17:28:24
Input operator : OPE
Patient : Patient
Doctor : DOC
Endoscope : 1000 SN1000
Water filter 5 µm: A2
Water filter 1 µm: A3
Water filter 0.2 µm: A4
Terminal water filter: A1040714.L0000358
Air filter ID: B110071313/02122
ID Soluscope CLN : C2040414S09401Q
ID Soluscope PAA : C1010714S191805F
Time to inflate endoscope: 5.71 s

Output operator : OPE

14/11/2014 17:50:56
Cycle complete and valid : 0h 22min 33s

SERIE 4

SOLUSCOPE COMPLETE SOLUTION



Soluscope proposes a complete solution for flexible endoscope reprocessing.

It offers products for every step of the reprocessing cycle. Each part is certified, easy to use and effective in order to reduce your daily workload.



www.soluscope.com

Soluscope SAS : 100, rue du Fauge – Z.I. Les Paluds - 13400 Aubagne - France
Tel : +33 (0)4 91 83 21 22 • Fax : +33 (0)4 91 83 21 10 • E-mail : info@soluscope.com

SERIE 4

THANK YOU ...

